

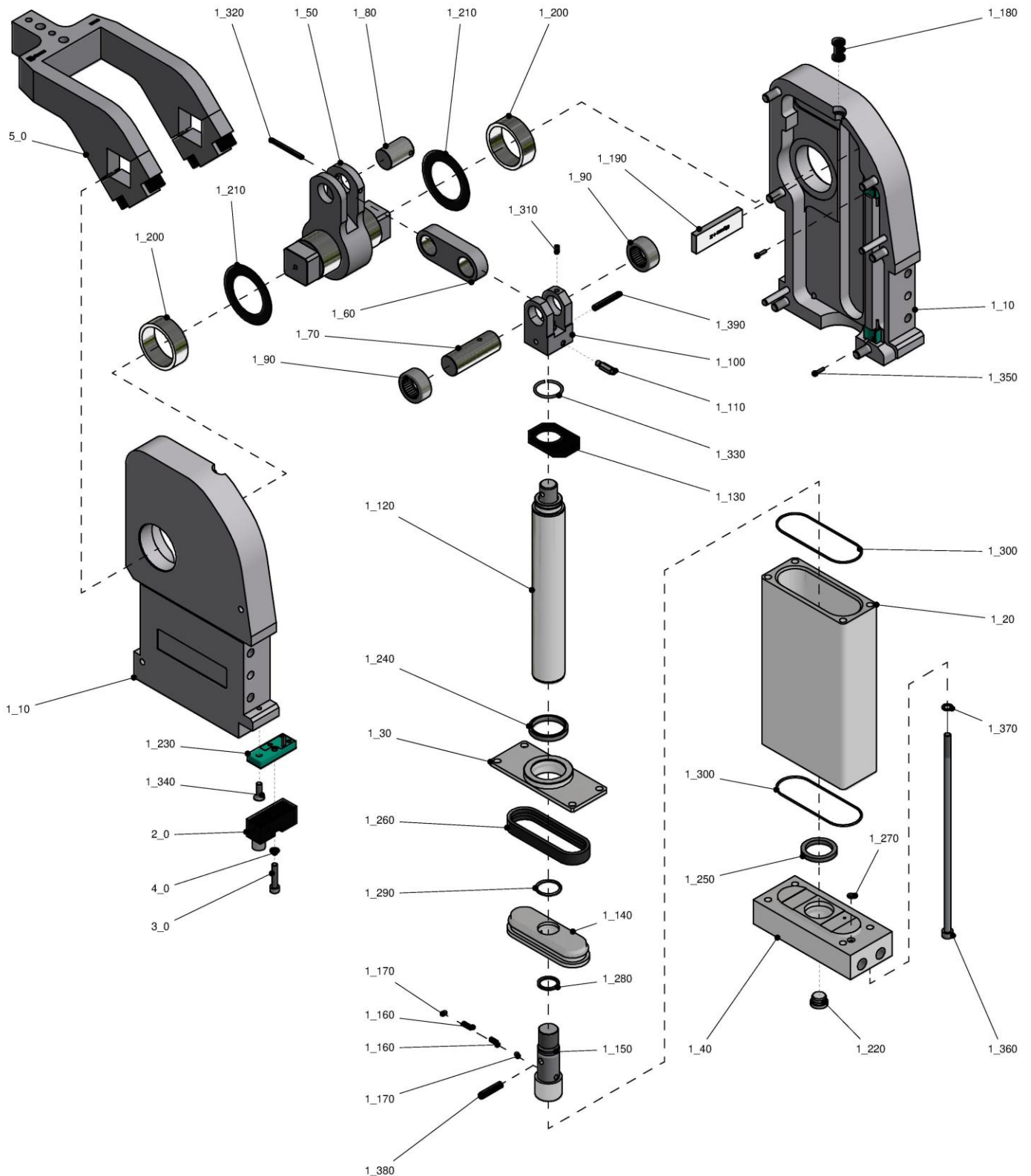
## Spare Parts Clamp

Pos.	Part no.	Quantity	Description	Type	Flag <sup>1</sup>
1_50		1	drive shaft	U 80-63 A10	R
1_60		1	strap	U 80-63	R
1_70		1	bolt	U 80-63	R
1_80		1	bolt	FKSI 80	R
1_90		2	supporting roller complete	FKSM 80	R
1_190		1	supporting plate	U 80-63 6,03 mm hoch	R
		1	supporting plate	U 80-63 5,98 mm hoch	R
		1	supporting plate	U 80-63 6,00 mm hoch	R
		1	supporting plate	U 80-63 6,05 mm hoch	R
1_200		2	needle sleeve complete	V 80	R
1_240		1	scraper	1PF 30-35,5x5-0	RD
1_250		1	pneumatic damper ring	V6 2504 N3578 D25-D33x4	RD
1_260		1	cylinder seal	K 63 94x32x87x25x12	RD
1_270		1	o-ring	D4x1,5	RD
1_280		1	o-ring	D16x2	RD
1_290		1	o-ring	D20x2	RD
1_300		2	o-ring	D70x1,5	RD
1_310		1	set screw	M4x8 DIN 915	R
1_320		1	dowel pin	4x40 DIN 1481	R
5_0	227660	1	clamp arm complete A10	K/ KU 80 A10	
	246238	1	clamp arm complete A40	K/ V 80.1 A40	

## spare parts sets / accessories

Pos.	Part no.	Quantity	Description	Type	
	1215063	1	repair kit	U 80	
	1215069	1	seal kit	U 80	
2_0	1232948	1	plug adapter straight	T24.2 P+F standard	
	428991	1	plug adapter straight	T24.5 Senstronic	
	1232952	1	plug adapter 90° angle	T24.3 P+F	
	424483	1	plug adapter rotatable	T24.23	

<sup>1</sup> R = included with repair kit, D = included with seal kit



Subject to technical modifications.

20.05.2020