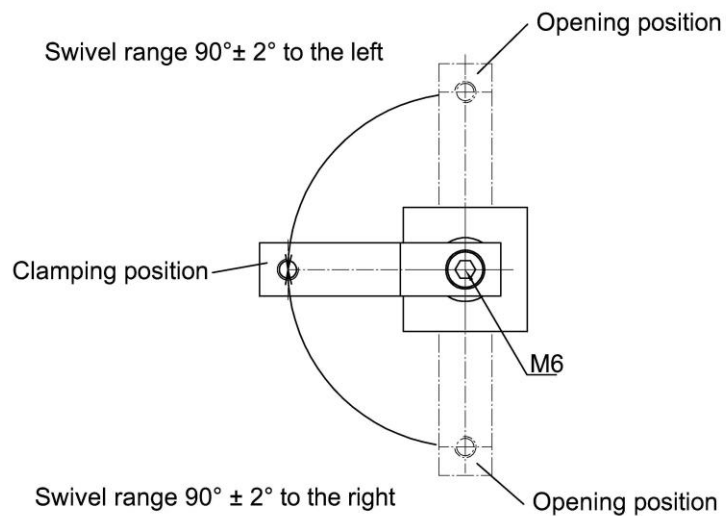
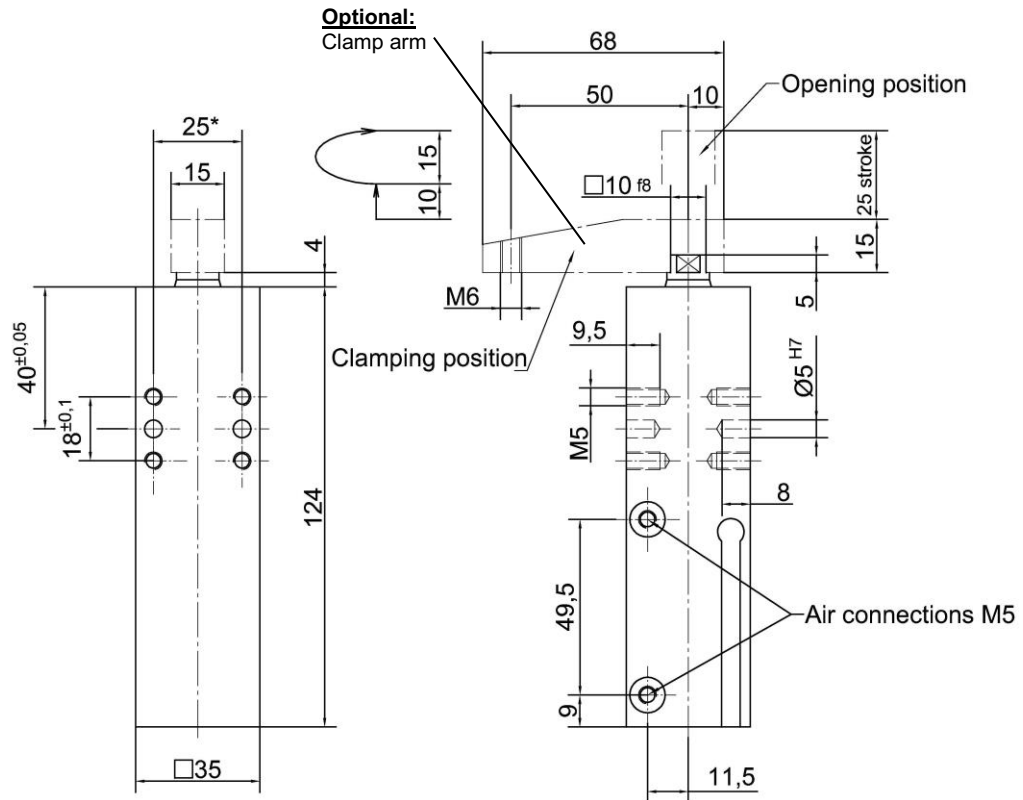


Mini Swivel Clamp

Swivel range 90°

SCBM 25



Ordering example:

SCBM 25-25 90° L

SCBM 25-25: Type
90° L: Rotational direction left
(R = right)

Accessories:

part no. 278068, clamp arm

Accessories TÜNKERS sensing systems:

part no. 368428, AFS T03 (M8):
Magnetic sensing with M8 connection (2 pcs. per Clamp required for opened and closed position)

part no. 373621, AFS T03 (M12):
Magnetic sensing with M12 connection (2 pcs. per Clamp required for opened and closed position)
see separate data sheet „AFS T03“

Attention:

External throttle check valves must be provided on assembly.
They are not included in the scope of delivery!

Type	Clamping force at 5 bar Rod extended	Clamping force at 5 bar Rod retracted	Weight incl. clamp arm (kg)
SCBM 25-25	220 N	170 N	0.6