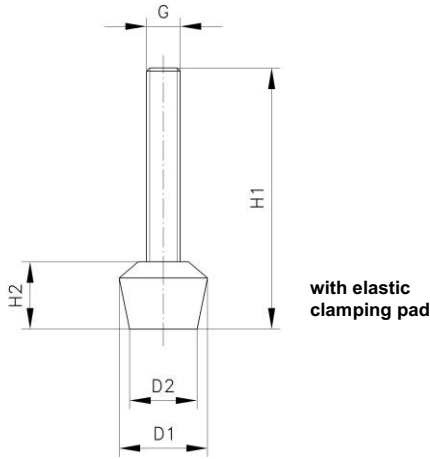
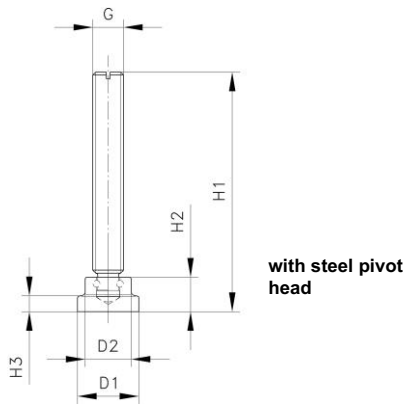


Pressure screws

compatible with product series PKS.. /K... .1

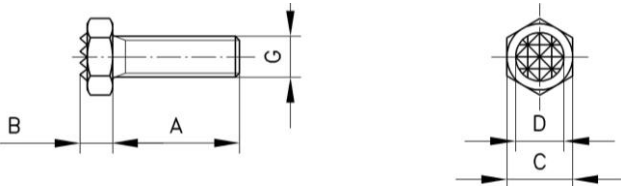


with elastic clamping pad

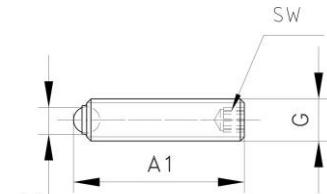


with steel pivot head

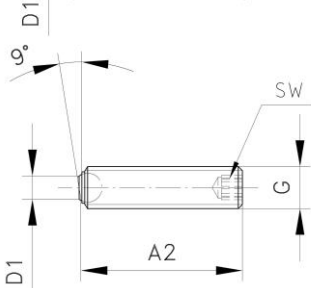
Hard metal carbide insert



with steel ball



with steel ball joint



Type	Ident no.	Size (G)	H1	H2	D1	D2	Weight (g)
T2-AS 6 x 35	221658	M6 x 35	45	13	16	12	12
T2-AS 8 x 35	221661	M8 x 35	48	16	21	16	25
T2-AS 8 x 45	250078	M8 x 45	58	16	21	16	28
T2-AS 8 x 50	221659	M8 x 50	63	16	21	16	30
T2-AS 8 x 65	221660	M8 x 65	78	16	21	16	35

Type	Ident no.	Size (G)	Nut for T slot	H1	H2	D1	D2	Weight (g)
T2-AG 6 x 50	237130	M6 x 50	-	52	13	16	12	20
T2-AG 8 x 75	237131	M8 x 75	-	48	16	21	16	47
T2-AG 8 x 75	237134	M8 x 75	M8 x 10	58	16	21	16	62

Type	Ident no.	Size (G)	A	B	C	D	Weight (g)
TRS-M6	261742	M6	25	5	10	7,9	12
TRS-M8	261743	M8	25	6,4	13	9,5	15

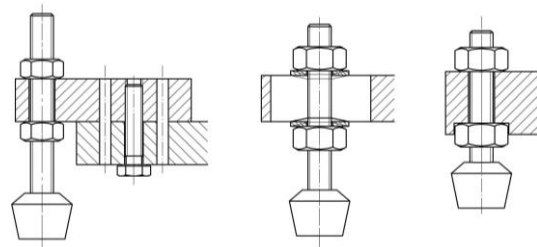
Type shape A	Ident no.	Size (G)	A1	D1	SW	Weight (g)
TVK-M6	261744	M6	16,8	3,2	3	5
TVK-M6	261745	M6	25,8	3,2	3	5
TVK-M8	261746	M8	21,2	4,5	4	6
TVK-M8	261747	M8	31,2	4,5	4	6

Type shape B	Ident no.	Size (G)	A2	D1	SW	Weight (g)
TAK-M6	261748	M6	16	3,2	3	5
TAK-M6	261749	M6	25	3,2	3	5
TAK-M8	261750	M8	20	4,5	4	7
TAK-M8	261751	M8	30	4,5	4	9
TAK-M8	287061	M8	50	4,5	4	15

With clamp arm version "A18"

With clamp arm version "A17"

With clamp arm version "A19"



Assembly examples