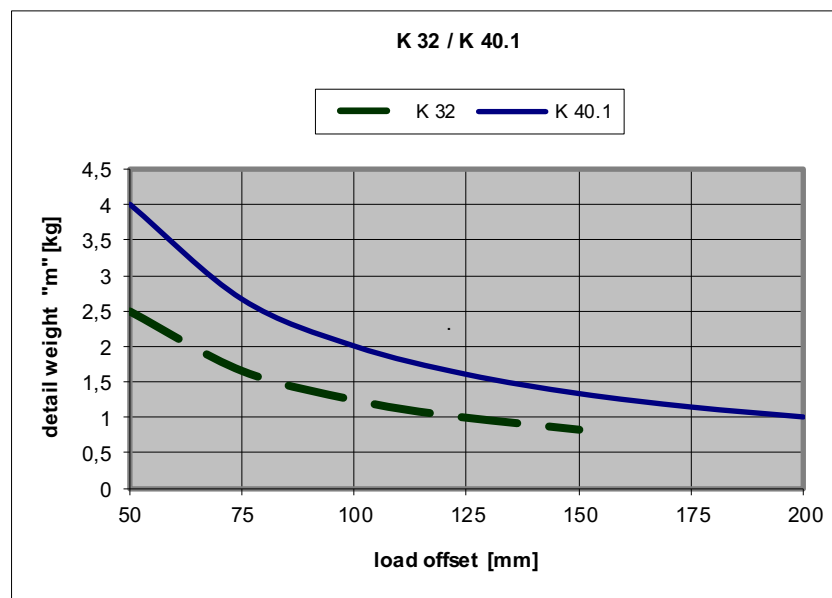
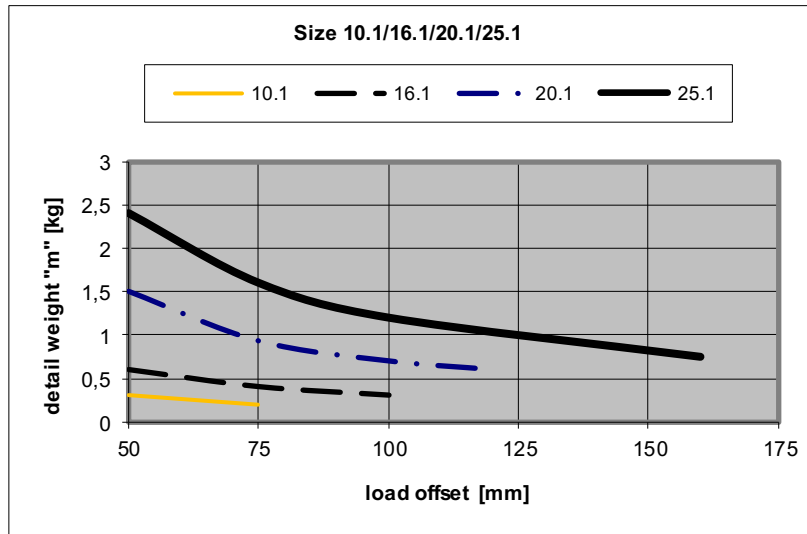


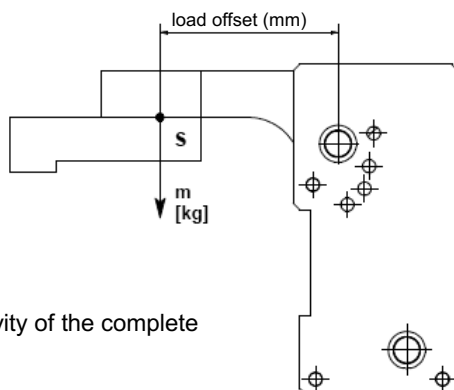
Allowable clamp arm weight against load offset of the clamp arm

PKS... .1 series
K... .1 series



Condition: Cycle time of 2 seconds opening, 2 seconds of closing at a max. opening angle of 105°

Caution: Operation admissible with external flow-control valves only!



S:: center of gravity of the complete clamp arm
m: detail weight

Size	Max. torque due to weight load
10	0.15 Nm
16	0.30 Nm
20	0.70 Nm
25	1.20 Nm
32	1.25 Nm
40	2.00 Nm