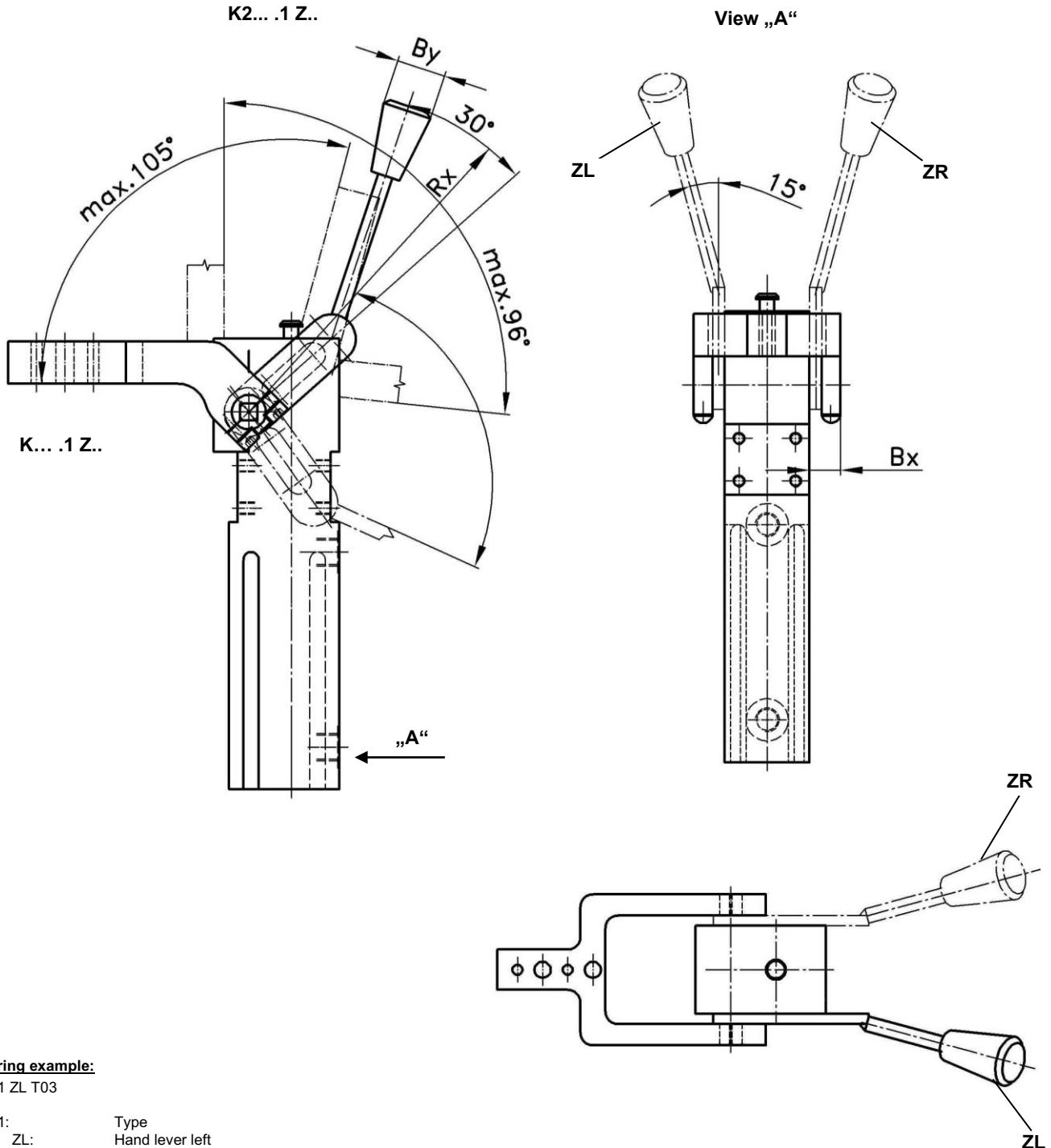


Mini Pneumatic Power Clamp

totally enclosed, knee lever locked end position, with hand lever

K 16.1-25.1 ZL/ZR



Ordering example:

K 16.1 ZL T03

K 16.1: Type
 ZL: Hand lever left (ZR = right)
 Please quote when ordering!
 T03: Sensing system

Ordering example Tünkers sensing systems:

...T03 Magnetic sensing, without magnetic switches prepared for sensing
 ...T23 Magnetic sensing, including 2 magnetic switches with M8 connections mounted on clamp
 ...T23/M12 Magnetic sensing, including 2 magnetic switches with M12 connections mounted on clamp
 ...T12 Inductive sensor (only K 25.1 ZL/ZR)

A 5/3-way valve is required, central position de-aerated.

For further measures see data sheet "K 16-25.1".

Medium: Air, max. 6 bar, operation permitted with oil-free air.

Attention!

External throttle check valves must be provided on assembly. They are not included in the scope of delivery.

| Type | Bx | By | Rx | Weight (kg) |
|--------------|------|----|-----|-------------|
| K 16.1 ZL/ZR | 12.5 | 20 | 135 | 0.45 |
| K 20.1 ZL/ZR | 12.5 | 20 | 135 | 0.80 |
| K 25.1 ZL/ZR | 12.5 | 20 | 135 | 1.02 |