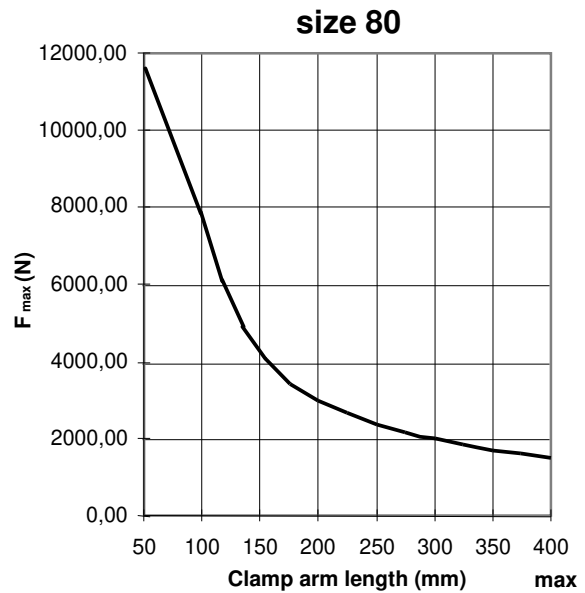
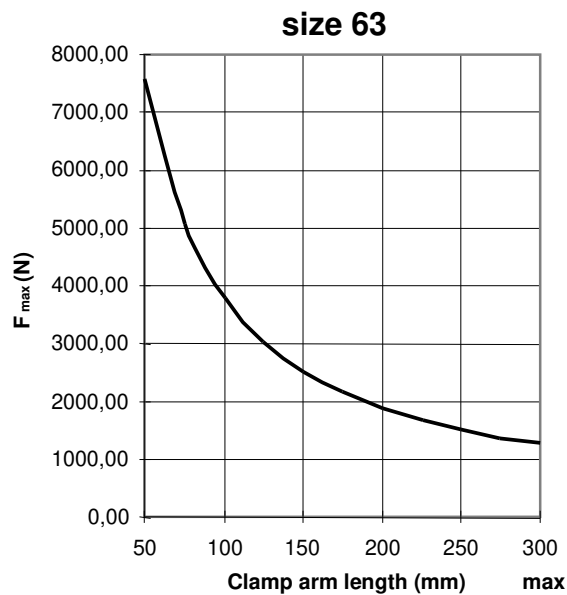
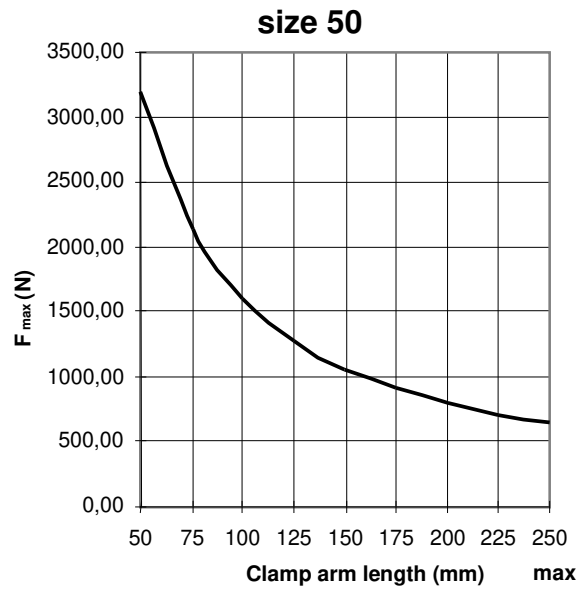
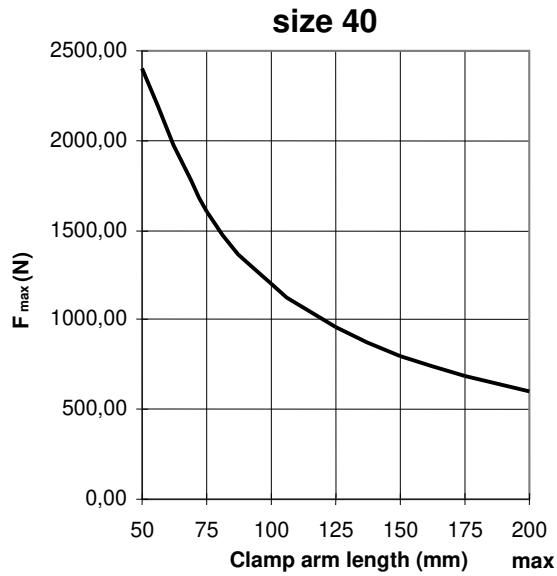


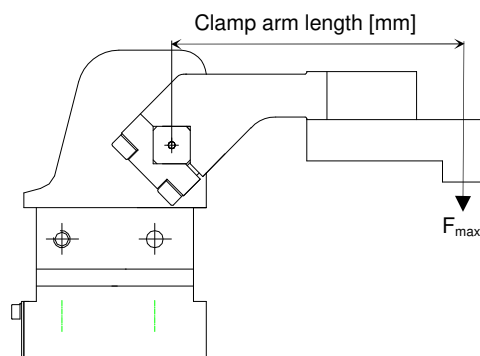
Clamping force

against length of clamp arm

V.../K... series

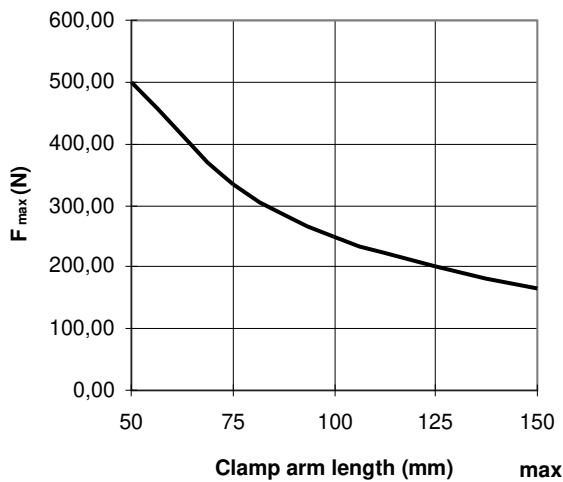


Since the clamping force is generated by means of a toggle mechanism, the full clamping force „F_{max}“ is available only in the end position.

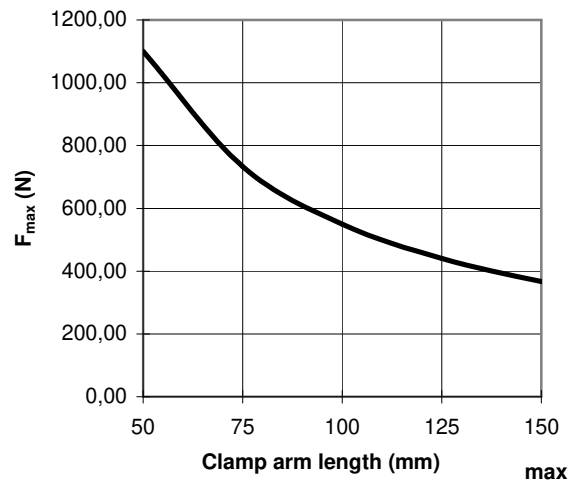


Size	Clamping moment / 5 bar
40	120 Nm
50	160 Nm
63	380 Nm
80	800 Nm

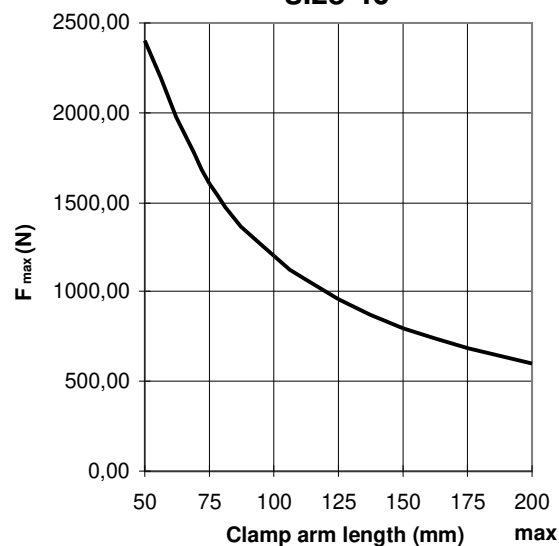
size 25



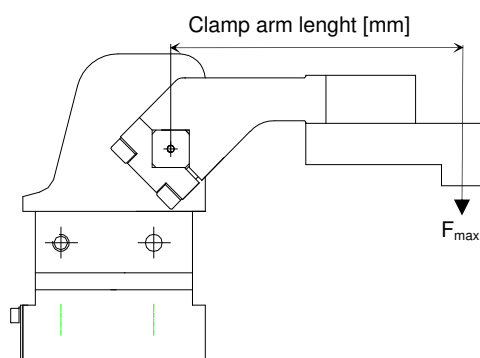
size 32



size 40



Since the clamping force is generated by means of a toggle mechanism, the full clamping force „ F_{max} “ is available only in the end position.



Size	Clamping moment / 5 bar
25	25 Nm
32	55 Nm
40	120 Nm