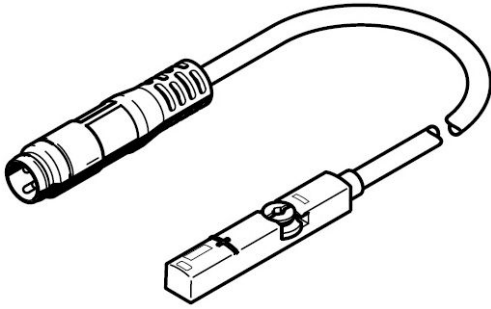


# End position sensor

for Mini Clamps

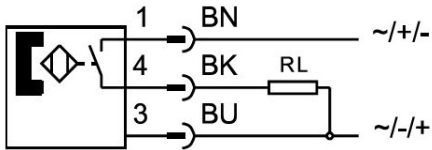
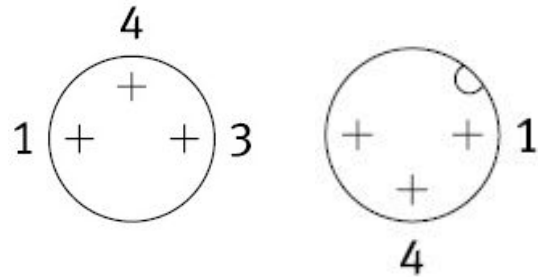
# AFS T03...



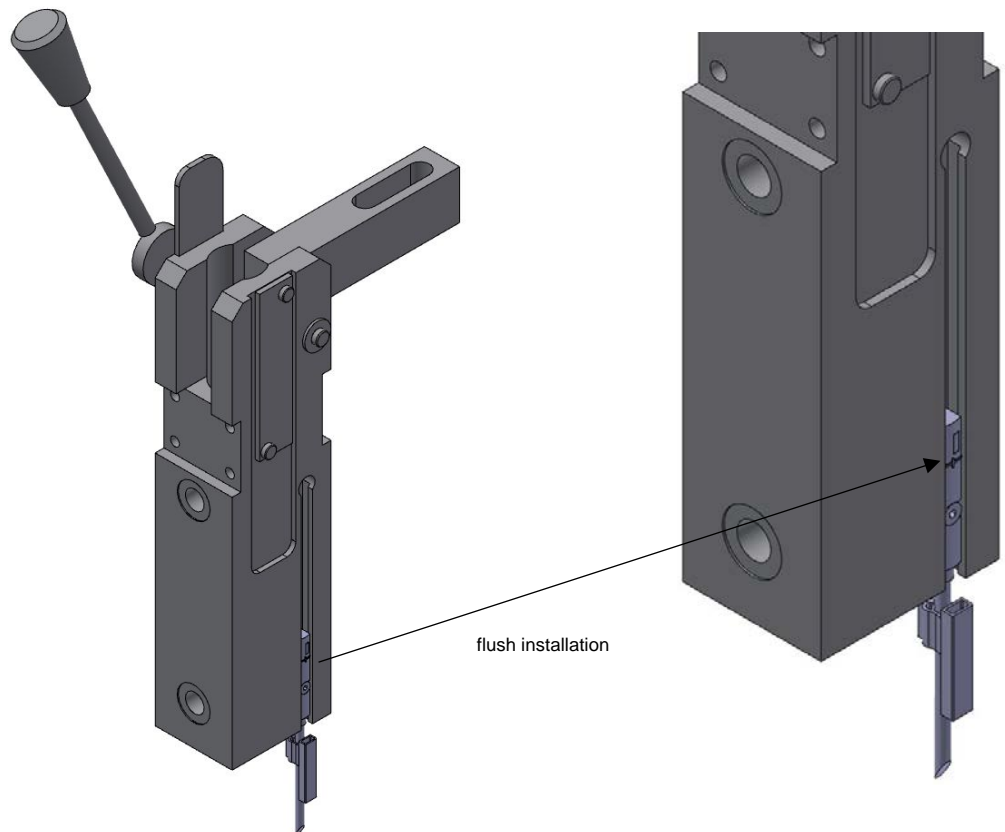
Pin assignment:

AFS T03 (M8)

AFS T03 (M12)



BN = brown  
BK = black  
BU = blue



Example:  
Clamp with end position sensor

**For Clamp types:**

- K 16.1 – 25.1
- K 25 UZ
- M 400 UZ
- PKG 16 – 25
- PKS 16.1 – 25.1
- SCB 12 – 63
- SCBM 25
- SCQ 12 – 50
- SZK 25

**Attention:** 2 sensors each are required!

Type	Part no.	Cable length	Measuring principle	Output current max.	Operating voltage range AC	Operating voltage range DC
AFS T03 (M8)	368428	0.3 m	magnetic Reed	80 mA	5...30 V	5...30 V
AFS T03 / M12	373621					