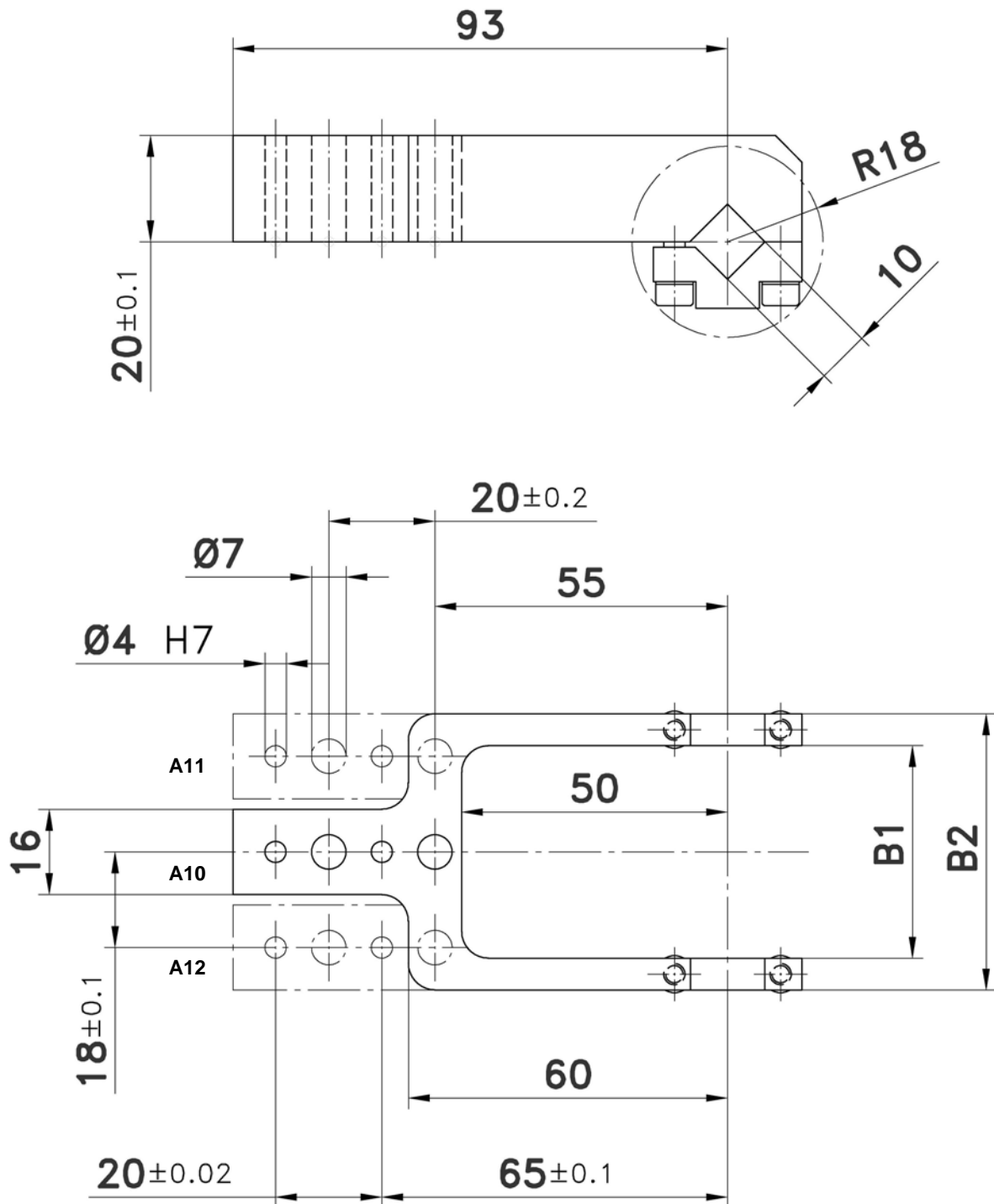


Clamp arms

for Clamps size 25 / Z, without offset

A10, 11, 12



Ordering example clamp arm complete:

228977: Clamp arm complete A10 size 25

Clamp	Clamp arm version A10 order no.	Clamp arm version A11 order no.	Clamp arm version A12 order no.	B1 +0,2 +0,1	B2
K 25.1	228977	230859	230860	40	52
K 25.1 Z	261400	263649	263650	48	60